

REVISION : 25/09/2019

	Power (KW)	MAX. SUSPENSION HEIGHT (IN)	CONVEYOR BELT WIDTH	DIMENSIONS (SEE FIGURE 1)			WEIGHT (LBS)
				A	B	C	
EMAG 30	3	10	30	36	30	18	1800
EMAG 50	5	13	36	42	36	18	2700
EMAG 65	6.5	16	42	48	42	20	3600
EMAG 85	8.5	18	48	54	48	22	5200
EMAG100	10	20	54	60	54	24	8000
EMAG 125	12.5	22	60	66	60	28	11100
EMAG 140	14	23	66	72	66	28	12050
EMAG 150	15	25	66	70	70	34	18500
EMAG 180	18	28	66	74	68	34	31500
EMAG 200	20	30	72	84	78	32	36900

\* LEAD TIME FOR ALL EMAG PRODUCTS IS 8 WEEKS

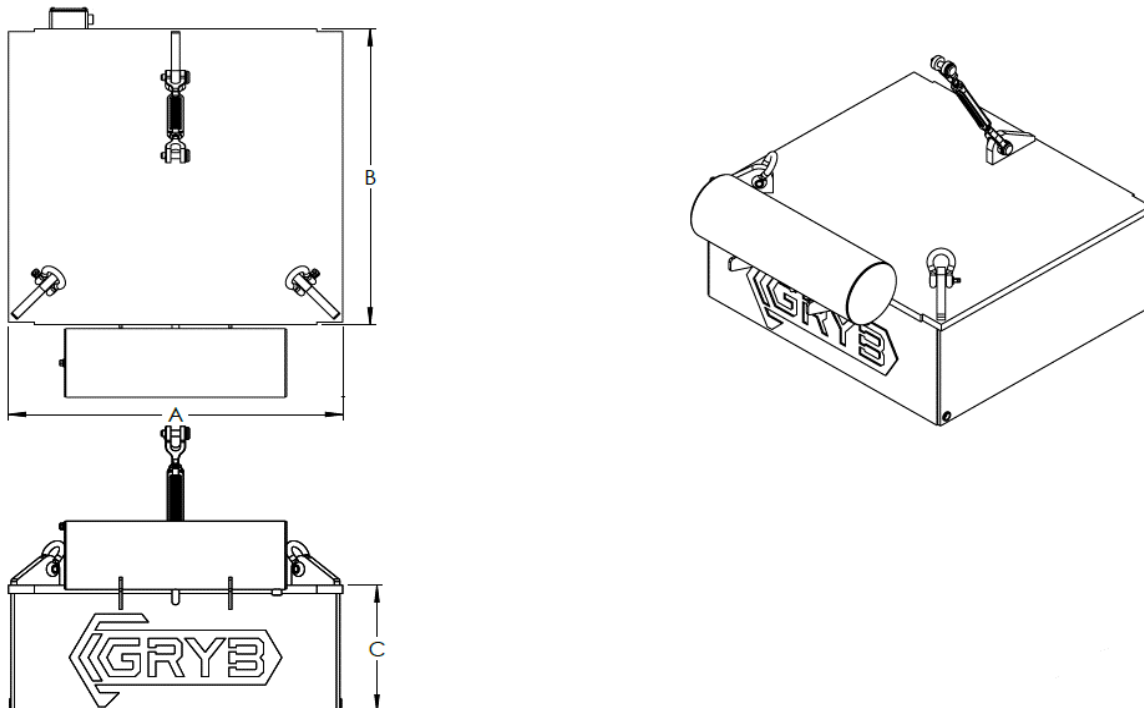


FIGURE 1 : MAGNETIC SEPARATOR DIMENSIONS